



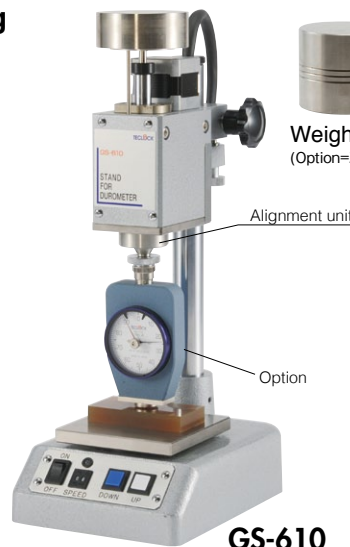
Measuring Stand for Durometer

New JIS compliance

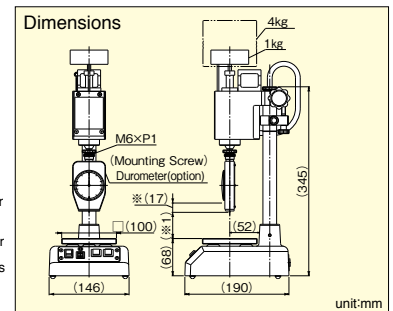
In case of measuring with durometer by pushing by hand, measuring values vary in some degree due to individual difference. Therefore, Measuring stand is materialized as measuring method for high reproducibility, which is prescribed in JIS and ISO.

Automatic type Motor Driving Durometer Stand

- Hardness can be measured by durometer with load and speed prescribed as standard only by operating switch.
- Varying in some degree of data measured by pushing by hand has been dramatically improved due to adopting stepping motor driving system.
- Alignment unit which realizes high contact between indenter (contact point) of durometer and test piece is mounted.
- 1kg can be measured by type A and type E durometer as they are. Measuring by type D needs optional weight ZY-046 for measuring 5kg.. Digital durometer GSD series needs optional weight ZY-090 for measuring 1kg..
- Calibration certificate can be issued.



GS-610



Specifications

Pressure Value	Weight Code-No.	Applicable Durometer Model
1kg	Analog	ZY-089(Accessory)
	Digital	ZY-090(Optional)
4kg	ZY-046(Optional)	D, ASTM C, DO, JIS C(old type)

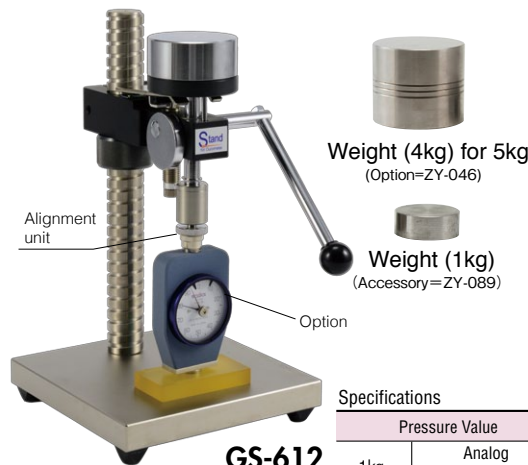
Lowering speed adjustable range: 1[mm/sec] - 19[mm/sec], by 1[mm/sec]

Power: 100 - 240 VAC (AC adapter accessory)

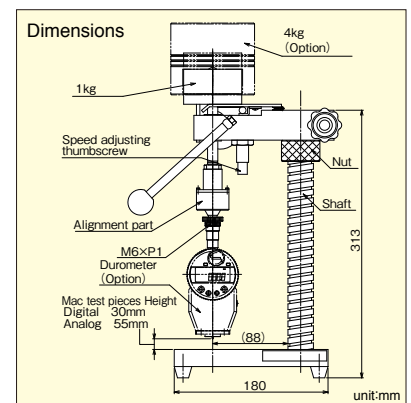
Weight: Approx. 9kg

Manual Operation type Durometer Stand with Speed Controller

- Speed controller with high reliability is adopted for moving down speed adjustment unit.
- Alignment unit which realizes high contact between indenter (contact point) of durometer and test piece is mounted.
- 65mm for analog and 40mm for digital are obtained for possible measuring range.
- Shaft with square thread is adopted that can prevent holder falling down and moving up and down.
- 1kg can be measured by type A and type E durometer as they are. Measuring by type D needs optional weight ZY-046 for measuring 5kg.. Digital durometer GSD series needs optional weight ZY-090 for measuring 1kg..
- Calibration certificate of mass (with durometer) can be issued, which are prescribed in ISO / JIS.



GS-612



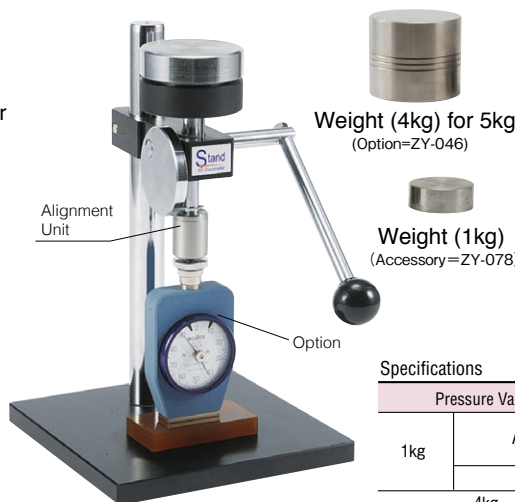
Specifications

Pressure Value	Weight Code-No.	Applicable Durometer Model
1kg	Analog	ZY-089(Accessory)
	Digital	ZY-090(Optional)
4kg	ZY-046(Optional)	D, ASTM C, DO, JIS C(old type)

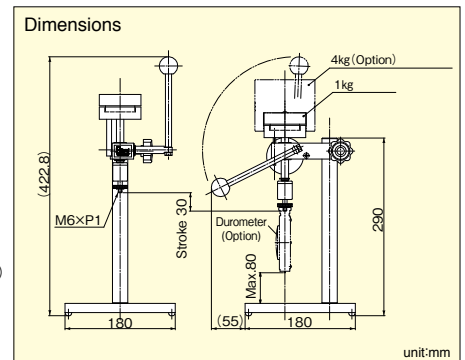
Weight 8.5kg

Manual Operation type Durometer Stand

- Hardness can be measured by durometer with load prescribed by JIS by mounting durometer and manual operation.
- Adopting cam has realized easy operation and cost performance.
- Alignment unit which realizes high contact between indenter (contact point) of durometer and test piece is mounted.
- 1kg can be measured by type A and type E durometer as they are. Measuring by type D needs optional weight ZY-046 for measuring 5kg.. Digital durometer GSD series needs optional weight ZY-079 for measuring 1kg..
- Calibration certificate can be issued (Operation speed certificate can not be issued.)



GS-615



Specifications

Pressure Value	Weight Code-No.	Applicable Durometer Model
1kg	Analog	ZY-078 (Accessory)
	Digital	ZY-079 (Option)
4kg	ZY-046 (Option)	D, ASTM C, DO, JIS C(old type)

Weight 3.9kg